

TMM4 PLUS

MULTI-PURPOSE STRETCHER-CHAIR

TMM PLUS SERIES



Minimize Transfers, Maximize Safety

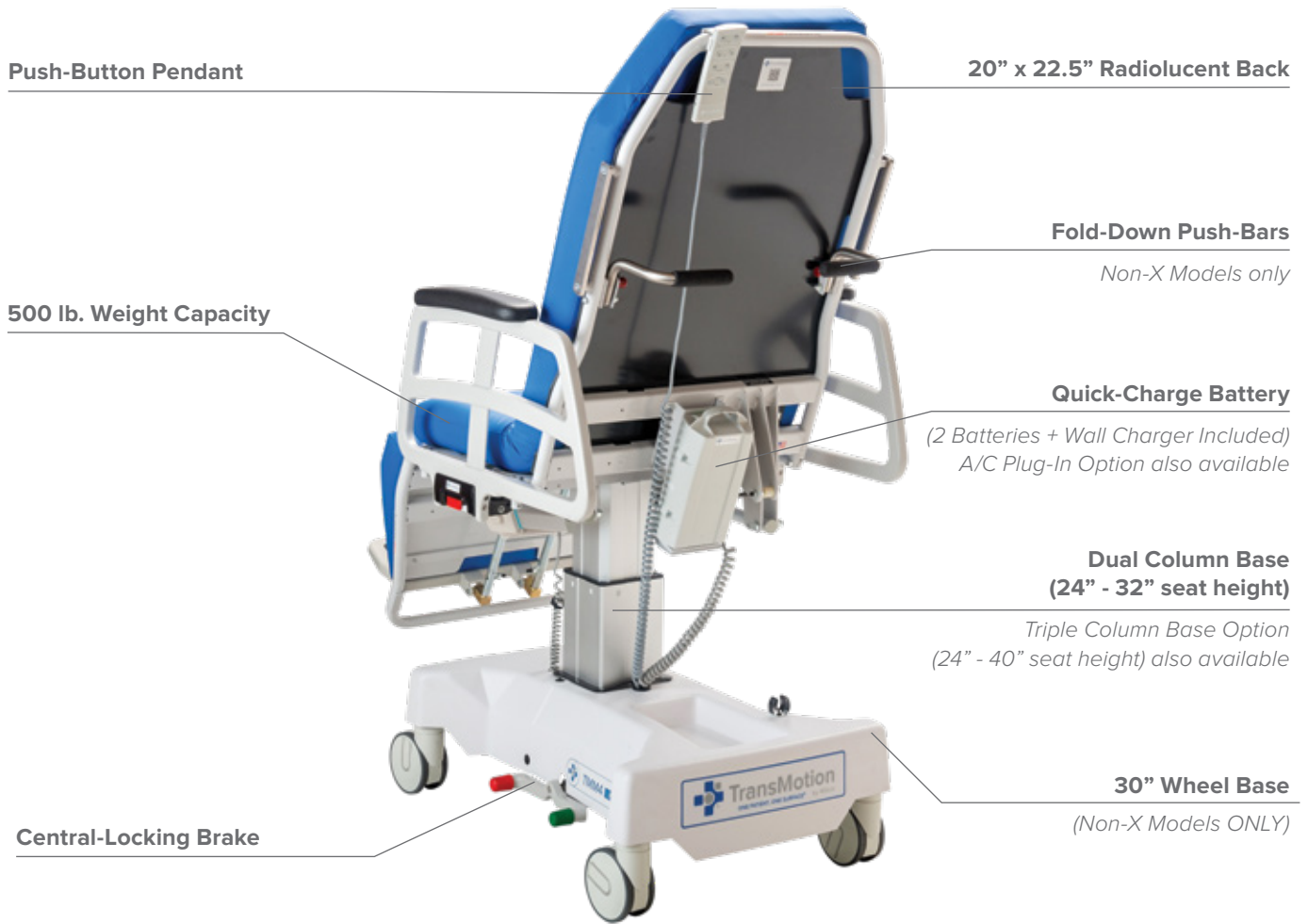
The versatility of TransMotion's TMM4 PLUS Multi-Purpose Stretcher-Chair allows for utilization in a variety of facilities and departments. Innovative, powered patient positioning helps eliminate patient transfers, limiting the risk of injury to patients and staff while improving throughput. The TMM4 PLUS is a procedure chair, transport device and stretcher all in one!

ONE PATIENT, ONE SURFACE®

 **TransMotion**
by Winco



ANATOMY OF A TMM4 PLUS STRETCHER-CHAIR



SPACE-SAVING FOOTPRINT



In the seated position, the TMM4 PLUS requires half the space of a traditional stretcher and is easy to navigate through hallways, rooms, elevators and other close quarters. Its small footprint frees-up floor space so more units can be available for patients as well as enabling more efficient storage.



Multi-Layer Foam Cushions

Available in Sure-Check® Fusion Fabric or Healthcare-Grade Vinyl



Manual Quick Release Back



Padded Swing & Tuck Side Rails

24" Standard Seat Width

**Not shown: Optional 28" seat width available for X and Non-X models.*

Auto-Extending Footrest

*Non-X Models Only
Not shown: Manual-folding footrest option available for X and Non-X models.

Locking Casters

Electro-Static Discharge (ESD) Steering Caster

ONE PATIENT, ONE SURFACE® FROM ADMISSION TO DISCHARGE



Admission



Transport



Procedure



Discharge

Reducing patient transfers increases patient throughput while decreasing the likelihood of incurring costs associated with staff injury and worker's compensation claims.



TMM4X PLUS STRETCHER-CHAIR

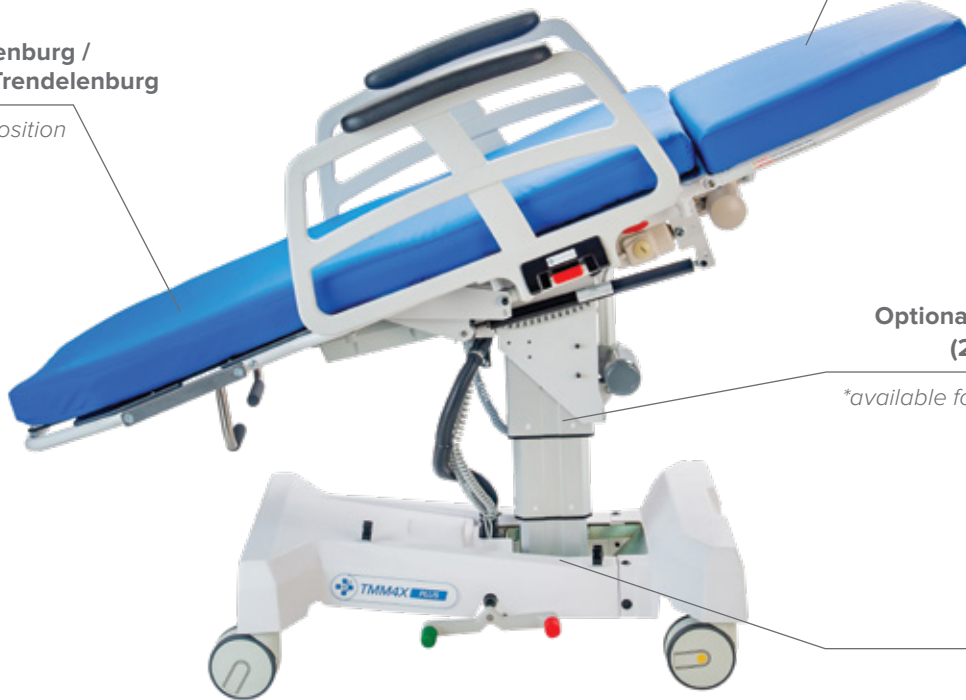
TMM PLUS SERIES

**Auto-Extending Footrest
NOT Available on X-models**

**Not shown: Manual-folding footrest option available for X and Non-X models.*

**20° Trendelenburg /
5° Reverse Trendelenburg**

In stretcher position



**Optional Triple Column Base
(24" - 40" seat height)**

**available for X and Non-X models*

33" Wheel Base

X-Models ONLY

* OPTIONAL INTEGRATED SCALE (Q)



The *Integrated Scale (Q) is exclusively available as an optional configuration for our TMM PLUS-X Stretcher-Chairs. This convenient hand-held device stores in the back of X-Model Stretcher-Chairs and allows staff to record a patient's weight accurately and efficiently without having to transfer the patient.

** The Integrated Scale (Q) is available as an OPTIONAL configuration for TMM PLUS-X Models ONLY and must be selected at the time of purchase. The Q option can NOT be added to non-X models.*

ALTERNATE CONFIGURATION OPTIONS



Wide (28") Seat Width (W)



Triple Column Base (T)
24" - 40" Seat Height



Manual Folding Footrest (F)



**Removable ENG/VNG
Headpiece (G)**

*models with this configuration will NOT have a radiolucent back



A/C Plug-In (A)

120v / 60Hz A/C power with on-board charger & internal batteries



Export Plug-In (E)

TRANSMOTION BY WINCO LIMITED WARRANTY

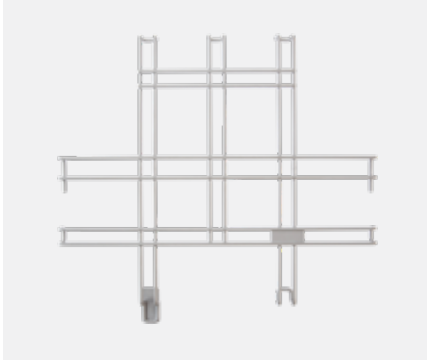


Optional Extended Limited Warranty also available.

MULTI-LAYER FOAM CUSHIONS available in your choice of Sure-Chek Fusion® fabric or Healthcare Grade vinyl.

Visit our website or contact a representative to view our selection of colors or to request swatches.

SUGGESTED ACCESSORIES



X-Ray Cassette Holder
Standard Width (TMA101-15)
Wide Width (TMA101W-15)



IV Pole
(TMA03-15)



Locking Armboard: Stretcher
(TMA121-15)



Armboard: Seated
(TMA65-15)



Heel Stirrups
(TMA169-15)



Folding Side Table
(TMA223-15)

**Not recommended for X models*



Oxygen Tank Holder
For Non-X Models
(TMA04-15)



Oxygen Tank Holder
For X-Models
(TMA04X-15)

Additional configuration & accessory options available

Contact a representative to discuss solutions designed to meet your specific needs.

The TMM PLUS Stretcher-Chair series may not be available in all markets. Please contact a Winco Mfg., LLC associate if you have questions about the availability of TransMotion by Winco products in your area.



CONTACT US

To arrange a demonstration or to speak with one of our associates, please feel free to contact us at:
800-237-3377 | WincoMfg.com | 5516 SW 1st Lane, Ocala, FL 34474 | Info@WincoMfg.com