

# TMM5 PLUS

SURGICAL STRETCHER-CHAIR

TMM PLUS SERIES



## Minimize Transfers, Maximize Throughput

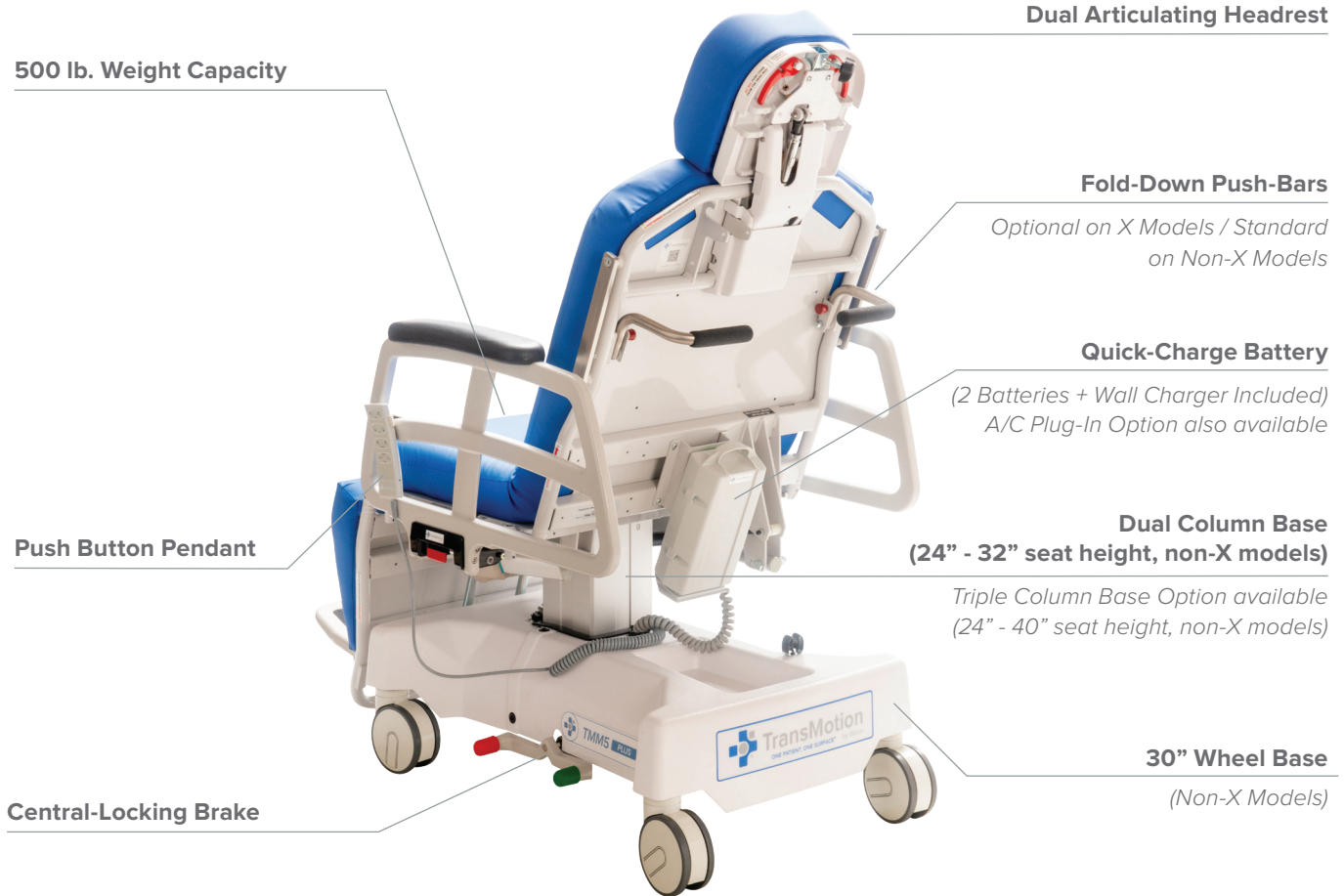
The versatility of TransMotion's TMM5 PLUS Surgical Stretcher-Chair enables facilities to streamline the treatment process and surgical flow by replacing multiple pieces of equipment with a single device. Innovative, powered patient positioning helps eliminate patient transfers, limiting the risk of injury to patients and staff while improving throughput. The TMM5 PLUS is a procedure chair, transport device and stretcher all in one!

ONE PATIENT, ONE SURFACE®

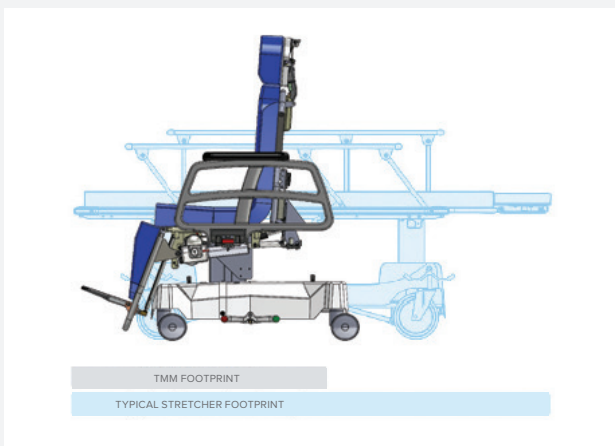
 **TransMotion**  
by Winco



# ANATOMY OF A TMM5 PLUS STRETCHER-CHAIR

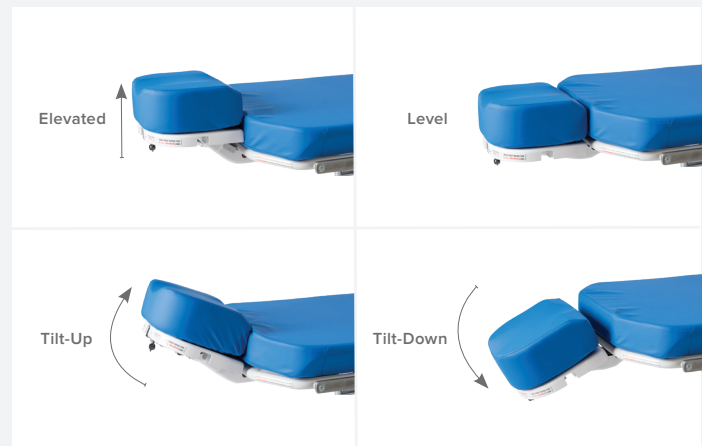


## SPACE-SAVING FOOTPRINT



In the seated position, the TMM5 PLUS requires half the space of a traditional stretcher and is easy to navigate through hallways, rooms, elevators and other close quarters. Its small footprint frees-up floor space so more units can be available for patients as well as enabling more efficient storage.

## ARTICULATING HEADPIECE



### Adjustability Clinicians Demand, Comfort Patients Deserve

The low-profile, dual articulating headrest provides precise positioning from 30° (fully extended) to 60° (fully retracted). Additionally, the headpiece can be raised up to 3.5" or lowered to 0.9".



**Optional IV Pole**

**Multi-Layer Foam Cushions**

*Available in Sure-Check® Fusion Fabric or Healthcare-Grade Vinyl*

**Padded Swing & Tuck Side Rails**

**24" Standard Seat Width**

*Not shown: Optional 28" seat width available for X and Non-X models.*



**Manual Quick Release Back**

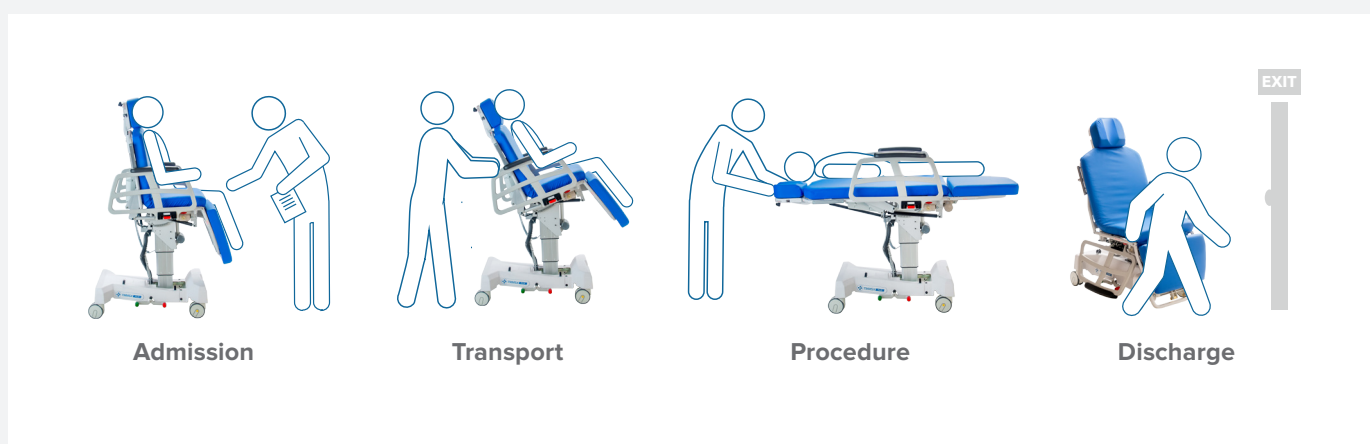
**Locking Casters**

**Auto-Extending Footrest**

*Standard on Non-X Models Only  
\*Not shown: Manual-folding footrest option available for X and Non-X models.*

**Electro-Static Discharge (ESD) Steering Caster**

**ONE PATIENT, ONE SURFACE® FROM ADMISSION TO DISCHARGE**



**Admission**

**Transport**

**Procedure**

**Discharge**

Reducing patient transfers increases patient throughput while decreasing the likelihood of incurring costs associated with staff injury and worker's compensation claims.



# TMM5X PLUS STRETCHER-CHAIR

TMM PLUS SERIES

### Optional Anterior Wrist Rest

*\*Available for X & Non-X models*

### Auto-Extending Footrest NOT Available on X-models

*\*Not shown: Manual-folding footrest option available for X and Non-X models.*



### 20° Trendelenburg / 5° Reverse Trendelenburg

*In stretcher position  
\* X models ONLY*

### Optional Triple Column Base (23" - 39" seat height)

*Not shown:  
Dual Column Base, X Models  
(24" - 32" seat height)*

### Surgical Support Leg

*X-models ONLY*

### 33" Wheel Base

*X-Models ONLY*

## ENHANCED STABILITY



Activated by an easy-slide lock/unlock lever, the surgical support leg adds rigidity and stability to the back section of \* **TMM5X PLUS** models.

*\* The Surgical Support Leg is included as a STANDARD feature on TMM5-X Models ONLY.*

# ALTERNATE CONFIGURATION OPTIONS



**Wide (28") Seat Width (W)**



**Triple Column Base (T)**



**Manual Folding Footrest (F)**



**A/C Plug-In (A)**

120v / 60Hz A/C power with on-board charger & internal batteries



**Export Plug-In (E)**

## CUSHION OPTIONS

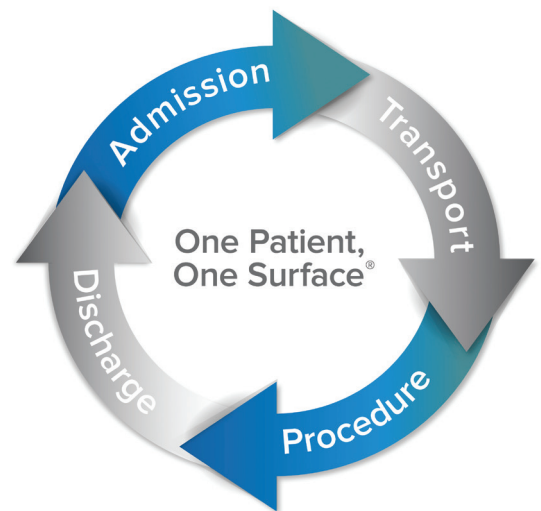
Multi-layer foam cushions are available in your choice of Sure-Chek Fusion® 4-way stretch fabric or Healthcare Grade vinyls.

Visit our website or contact a representative to view our selection of colors or to request swatches.

# TRANSMOTION BY WINCO LIMITED WARRANTY



Optional Extended Limited Warranty also available.



# SUGGESTED ACCESSORIES



**Air Delivery Drape Support**  
(TMA32-15)



**IV Pole**  
(TMA03-15)



**Head Extension**  
(TMA-362-15)



**Dual-Side Wrist Rest**  
(TMA20-15)



**Anterior Wrist Rest**  
(TMA167-15)



**Dual Foot Pedal Control**  
(TMA21K-15)



**Oxygen Tank Holder**  
For Non-X Models  
(TMA04-15)



**Oxygen Tank Holder**  
For X-Models  
(TMA04X-15)

**Additional configuration & accessory options available**

Contact a representative to discuss solutions designed to meet your specific needs.

*The TMM PLUS Stretcher-Chair series may not be available in all markets. Please contact a Winco Mfg., LLC associate if you have questions about the availability of TransMotion by Winco products in your area.*



## CONTACT US

To arrange a demonstration or to speak with one of our associates, please feel free to contact us at: **800-237-3377 | WincoMfg.com | 5516 SW 1st Lane, Ocala, FL 34474 | Info@WincoMfg.com**