



# ORTHO SCAN

IMAGING EXCELLENCE



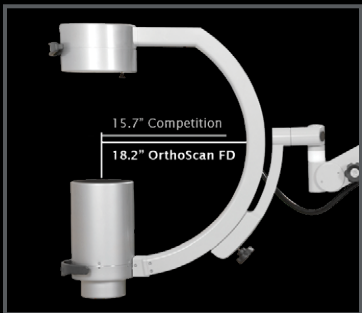
ORTHO SCAN HD

Setting a new standard  
in mini c-arm imaging



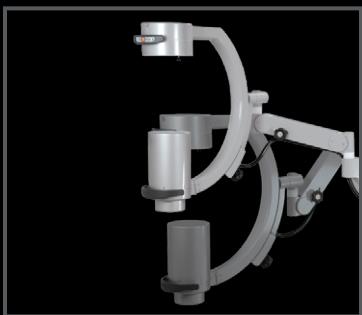
## [1] STERILE FIELD CONTROLS

The OrthoScan HD puts the most essential functions in a convenient, sterile location. Additional controls include a 4" and 6" field of view and laser.



## [2] ARC DEPTH

The OrthoScan HD offers an arc depth of 18.2," a 36% greater arc depth than the competition. This distance provides the surgeon with space to work comfortably.



## [3] VERTICAL RANGE

The OrthoScan HD Mini C-Arm offers a 35% greater vertical range than the competition. This expanded range provides the ability to image beach chair shoulders and standing knees.



in surgeons' hands



**[4] BOOST IMAGING MODE**

Boost is unique to the OrthoScan mini c-arms. This feature enables the ability to image larger anatomy such as large shoulders and knees.



**[5] HEIGHT ADJUSTABLE MONITOR**

The OrthoScan HD monitor is the only height adjustable monitor on the market. The monitor also has the greatest horizontal range in its class. Sterile covers for the monitor handles put the control in the surgeon's hands.



**[6] INFRARED FOOTSWITCH**

The OrthoScan HD offers an infrared footswitch for imaging and documentation. The cordless footswitch eliminates another troubling cord that interferes with the movement of the mini c-arm during a procedure.





#### **SMALL AND LIGHT WEIGHT**

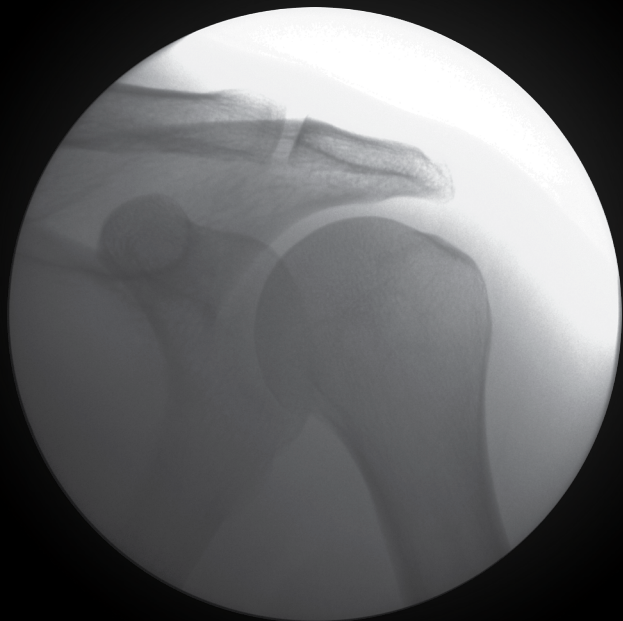
The OrthoScan HD is half the size and 28% lighter than the competition. The smaller size facilitates ease of movement and improves maneuverability. We are putting control back in the surgeons' hands and making a difference in the experience for every user.

#### **INTUITIVE AND EASY TO USE**

The OrthoScan HD has a simple intuitive interface that allows the user to perform basic imaging with little, if any, instruction. The custom keyboard allows single key access to most functions.

#### **SURGEON DRIVEN DESIGN**

The team at OrthoScan spent countless hours in extremity procedures over the last 10 years gathering surgeon feedback and developing a plan to build the optimal mini c-arm. The attention to detail from our doctor advisors and customers has resulted in a product that sets a new standard in mini c-arm imaging.



## LARGEST & MOST DETAILED IMAGES

The OrthoScan HD brings the surgery closer to you. The superior display size of the image enables users to analyze fine details at a distance. The “live” image is 38% larger than the competition’s largest image. Just like viewing a big screen TV from across a living room, it is easier to see a larger image at a distance.

## ADJUSTMENT FREE IMAGING

The OrthoScan HD automatically adjusts to metal, motion, and varying anatomy. The accurate adjustments of the OrthoScan HD allows the operator to use less fluoro time (less dose) and accurately view anatomy. Adjustment free imaging enables the surgeon to focus on the patient rather than the equipment.

## FRAMES PER SECOND

Your surgery is in real time, your imaging should be the same. The OrthoScan HD creates images and records video at 30 frames per second. This allows the OrthoScan HD to produce a smooth tracking of motion.

# EXCELLENCE IN COMMUNICATION & DOCUMENTATION

## [1] USB MEMORY STICK

The USB memory stick can hold up to 1,000 images per gigabyte. The images are stored in a convenient folder with the patient's name in both a DICOM and JPEG format. JPEG images can be viewed on any standard computer.

## INTERNAL IMAGE STORAGE

OrthoScan HD stores 8,000 images on the unit.

## [2] VIDEO OUT

The OrthoScan HD has industry standard DVI/VGA outputs compatible with your projection equipment.

## DICOM 3.0 COMPLIANT

- DICOM Store: Sends images to a PACS server
- DICOM Modality Worklist: Imports patient information from a hospital/radiology information system
- DICOM Print: Sends images to a DICOM networked printer
- DICOM Video: Sends video to a PACS server

## DIGITAL VIDEO RECORDER

The OrthoScan HD internal digital video recorder stores motion at an industry-leading 30 frames per second at full resolution. The system can store up to 90 minutes of video at full resolution. Video files can be exported to USB memory stick or CD/DVD.

## [3] PRINTERS

The OrthoScan HD can be equipped with two types of printers:

- Small Format Printer: 3.5" x 3.5" print on thermal paper
- Large Format Printer: 5" x 7" print on thermal paper or blue film

## [4] WIRELESS COMMUNICATION

The OrthoScan HD can be equipped with an encrypted wireless 802.11 a/b/g communication system, enabling a secure communication with your HIPAA compliant records system.

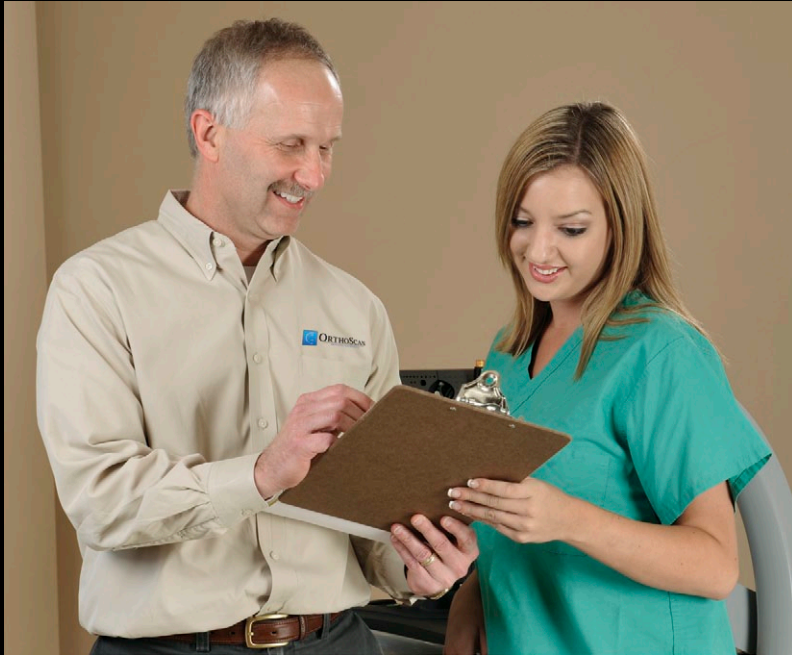


## EMR IMAGE LINK

Enables EMR connectivity. OrthoScan offers the only solution capable of automatically transferring images from the mini c-arm to your EMR system.

\*Patents pending

## EXCELLENCE IN SERVICE |



### We appreciate the opportunity to serve you

The OrthoScan service team understands the urgency of fluoroscopy in the surgical and office environment. We support your commitment to exceptional patient care through reliable equipment, timely response, and maximizing your uptime.

We continue to focus on your invaluable feedback to ensure your satisfaction with our mini c-arm. Design features include solid state image acquisition hardware for dependability and modular components for ease of service.

#### Services Offered

- 48 hour service guarantee
- Loaners available, if needed
- Bio Med training available at no charge
- Preventative maintenance contracts
- Extended warranty service contracts

For additional information about our service programs please contact us at 866.996.0472 or [support@orthoscan.com](mailto:support@orthoscan.com).





# ORTHOscan

IMAGING EXCELLENCE



Toll Free: 866.996.0472

Phone: 480.503.8010

Email: [info@orthoscan.com](mailto:info@orthoscan.com)

8212 East Evans Road  
Scottsdale, AZ 85260

Web: [orthoscan.com](http://orthoscan.com)

This product is covered by one  
or more U.S. patents pending  
Printed in the USA. All rights reserved.